

Product: KLUDI A-QA Thermostatic Dual Shower System
DN 15

Ref.: 6609505-00

Product description

Thermostatic Dual Shower System DN 15
with horizontally and vertically adjustable riser pipe
wall fastening
temperature control handle with hot water safety device 38°C
with ceramic shut-off valve as rotary valve 90°/90°
outlet hand shower (below) rotate the handle to the rear
outlet head shower (up) rotate the handle forward
protected against back flow
shower holder vertically and horizontally adjustable
with KLUDI SUPARAFLEX shower hose 1/2 x 1/2 inch x 1600 mm
with KLUDI A-QA swivel head shower Ø 200 mm
with KLUDI A-QA s hand shower 3 S, with three spray patterns
with fixing kit, with dirt-catcher sieve

Finishes:
05 chrome

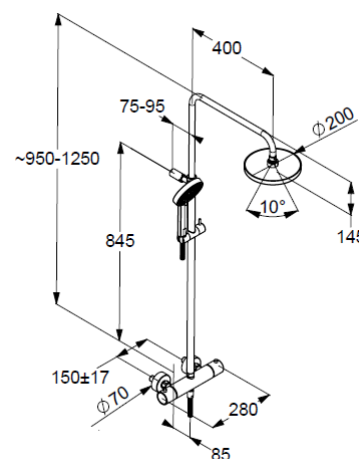
Product picture



Advertisement

thermostatic shower mixer, manufacturer KLUDI GmbH & Co. KG
KLUDI A-QA s item no. 6609505-00
type: Thermostatic Dual Shower System, DN 15 / PN 10, chrome plated brass/plastic,
ceramic shut-off valve as a rotary valve 90°/90°, solid handle chrome plated plastic,
temperature control handle with hot water safety device 38 °C, with dirt-catcher sieve
and backflow preventer, flow rate hand shower booster 11,6 l/min / smooth 11,7
l/min / volume 15,5 l/min at 3 bar, flow rate head shower 16,3 l/min at 3 bar, pro-
tected against back flow DIN EN 1717, concealed S unions 1/2 x 3/4 inch, with KLUDI
A-QA swivel head shower, chrome plated, with cleaning system, connection 1/2 inch,
with KLUDI A-QA s hand shower 3 S with booster / smooth / volume spray, chrome
plated plastic, with cleaning system, connection 1/2 inch, with KLUDI SUPARAFLEX
shower hose 1/2 x 1/2 inch x 1600 mm, plastic coated with metal effect, outlet to
head shower (up) with horizontally and vertically adjustable rigid shower riser, chrome
plated, with slider horizontally and vertically adjustable, with wall socket, with fixing
kit
dimensions: height: 950-1250 mm, projection: 400 mm, head shower: Ø 200 mm,
hand shower: Ø 120/250 mm, width thermostatic mixer: 280 mm
for pressure type water heater, for continuous line heater

Dimensional drawing



Flow rate diagram

